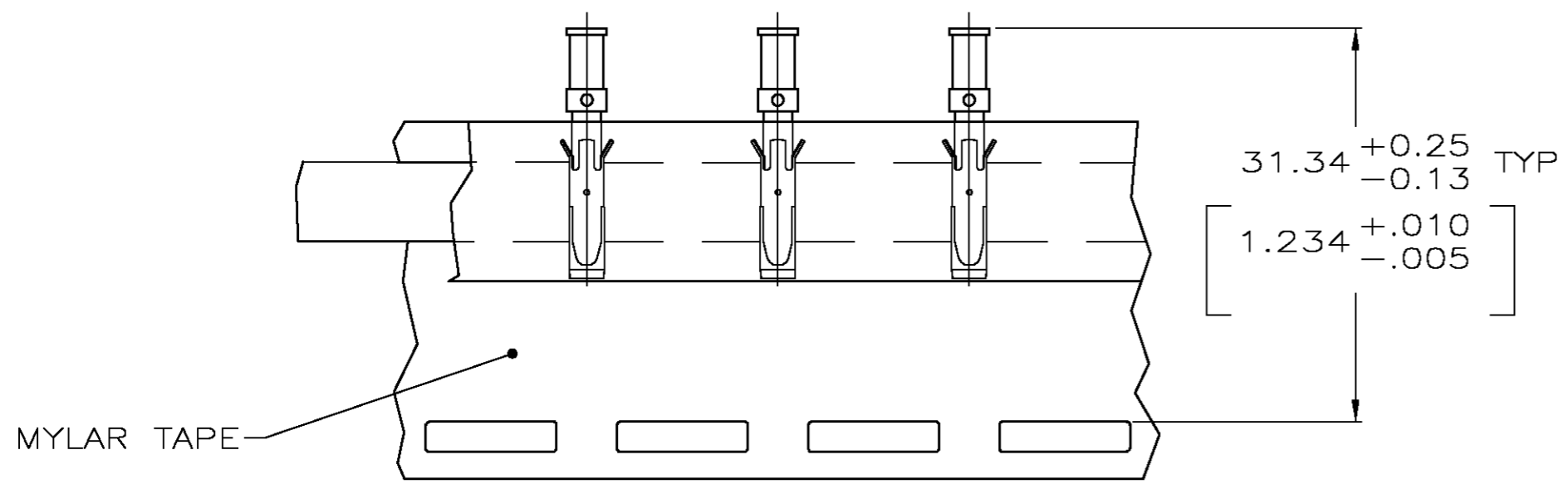
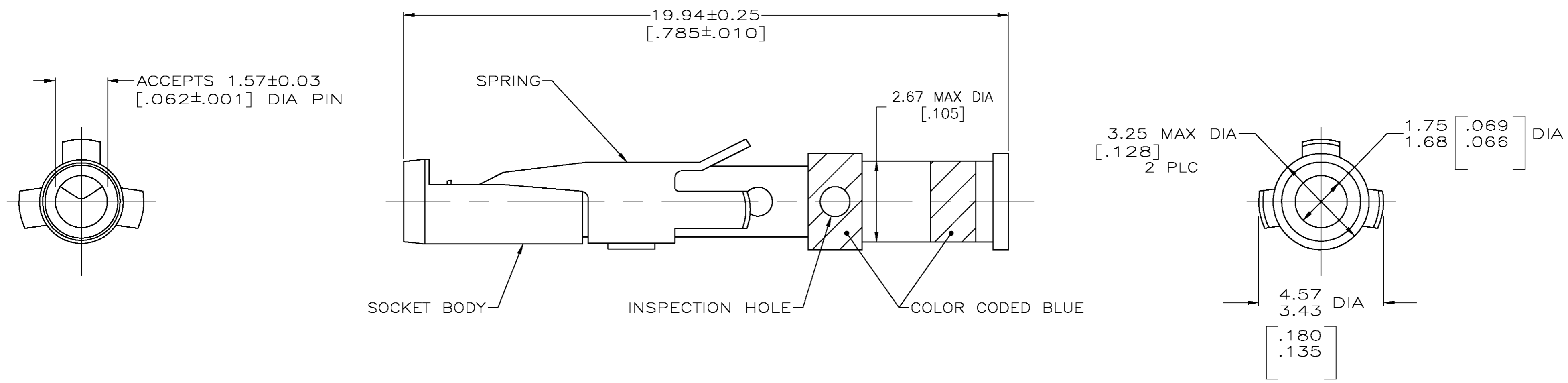


THIS DRAWING IS UNPUBLISHED. RELEASED FOR PUBLICATION  
 © COPYRIGHT BY TYCO ELECTRONICS CORPORATION. ALL RIGHTS RESERVED.

LOC		DIST		REVISIONS			
P	LTR	DESCRIPTION	DATE	DWN	APVD		
FT	0	AU	REVISED PER 0G3B-0288-04	4/5/04	SS	GS	



TAPE MTG DETAIL  
SCALE 2:1

- ① 0.76µm [.000030] MIN GOLD OVER 1.27µm [.000050] MIN NICKEL.
- ② 1.27µm [.000050] MIN GOLD OVER 1.27µm [.000050] MIN NICKEL.
- ③ WHEN ORDERING CONTACT ASSEMBLY ON TAPE, ORDER BY THE TAPE NUMBER PLUS THE PACKAGING CODE AS FOLLOWS:
  1. FOR USE WITH AMP TAPETRONIC, PNEUMATIC TOOL—
    - A. 1000 PARTS TO A BOX ADD PACKAGING CODE: 1MBOX
  2. FOR USE WITH 4/8 INDENT STRIPPER CRIMPER—
    - A. 1000 PARTS TO A REEL ADD PACKAGING CODE: 1MREEL
    - B. 5000 PARTS TO A REEL ADD PACKAGING CODE: 5MREEL

- ④ NO COLOR CODING.
- ⑤ PRELIMINARY PART NUMBER.

4/5	STANDARD	1	1-200333-9
OBSOLETE	SMALL PACK	1	1-200333-8
	STANDARD	2	1-200333-4
	TAPE MTG (SEE DETAIL) ③	1	200333-8
	STANDARD	1	200333-1
PACKAGING TYPE		SOCKET BODY FINISH	PART NO.
THIS DRAWING IS A CONTROLLED DOCUMENT.		DWN 04/05/93 D.GELTZ	Tyco Electronics Corporation Harrisburg, Pa 17105-3608
DIMENSIONS: INCHES		CHK 4-28-93 R.STONE	
TOLERANCES UNLESS OTHERWISE SPECIFIED:		APVD -	CONTACT ASSEMBLY, SOCKET, #16, TYPE II
0 PLC ± -		PRODUCT SPEC -	
1 PLC ± -		APPLICATION SPEC -	SIZE A2
2 PLC ± -		WEIGHT -	CAGE CODE 00779
3 PLC ± -		FINISH	DRAWING NO C=200333
4 PLC ± -			RESTRICTED TO -
ANGLES ± -		SCALE 10:1 SHEET 1 OF 1	
MATERIAL: SOCKET BODY: COPPER ALLOY; SPRING: STAINLESS STEEL		REV AU	
SOCKET BODY: SEE TABLE		CUSTOMER DRAWING	